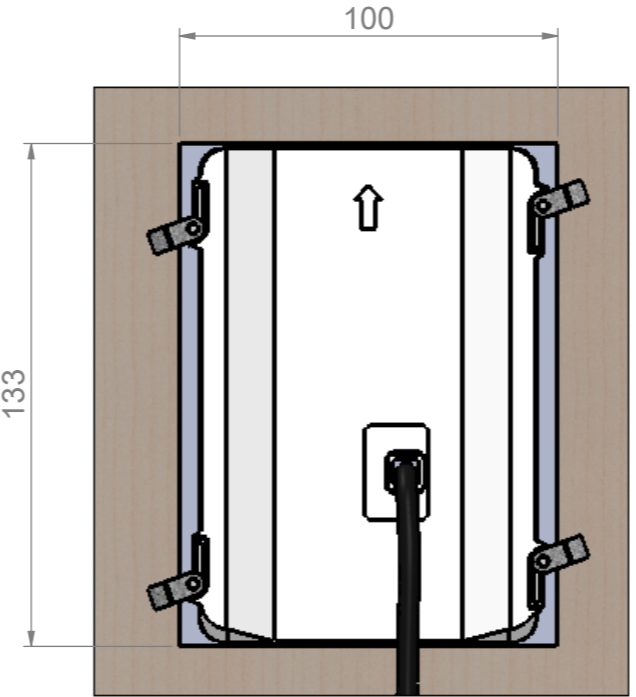
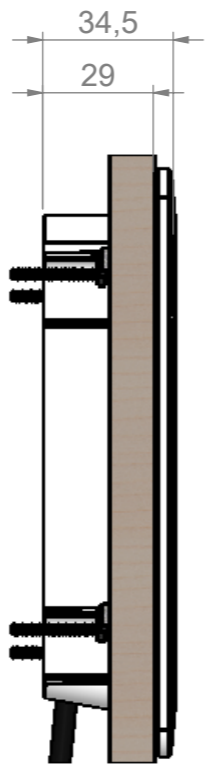
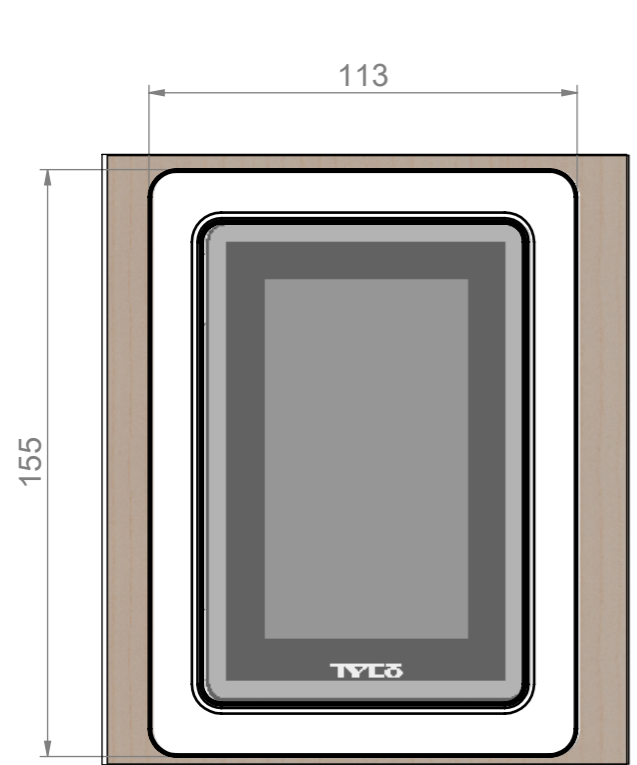
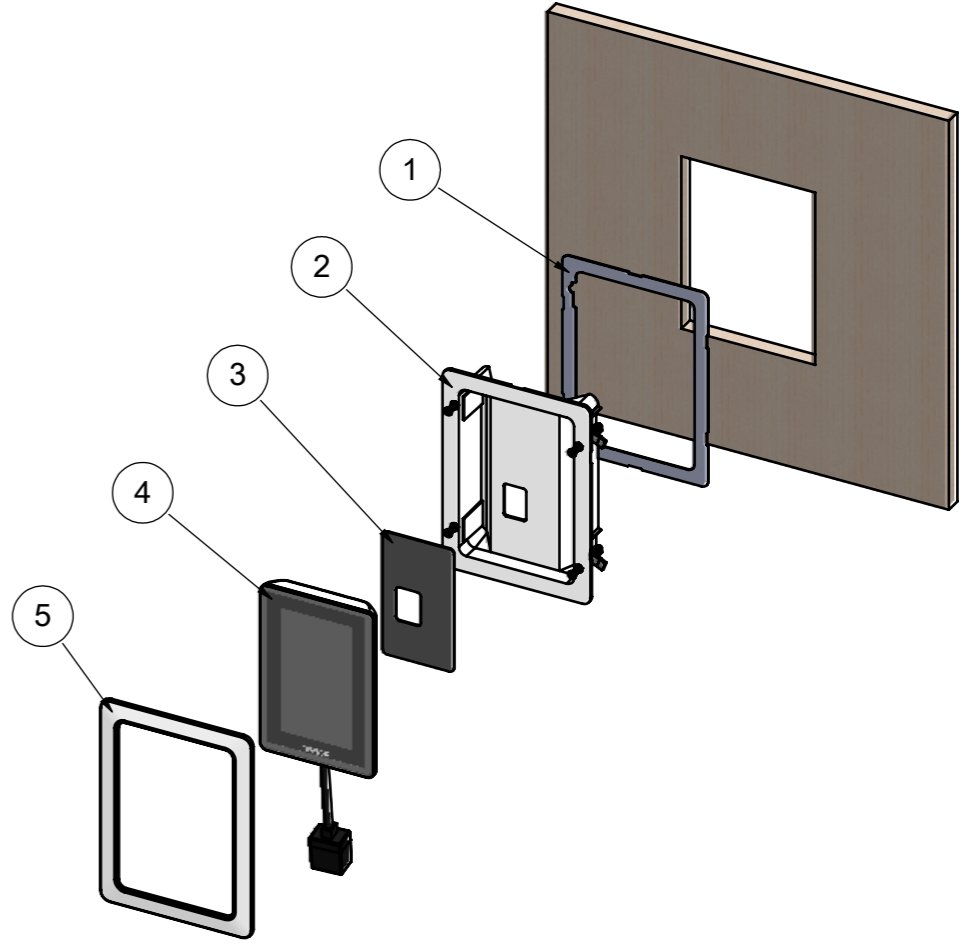
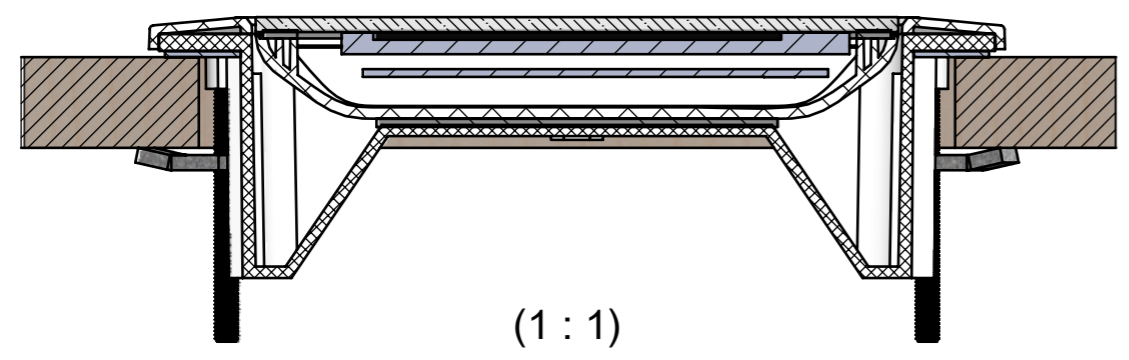


Rev.	Changes and/or mess.-no	Datum	Approved by



Cutout Dimensions

ITEM NO.	PART NUMBER	DESCRIPTION	QTY.
1	TH001630	Housing adhesive Tylö Elite	1
2	TH000764	Recessed housing Tylö Elite	1
3	TH000643	Frame adhesive Tylö high	1
4	TH000555	Tylö High	1
5	TH000712	Recessed frame Tylö Elite	1

This document must not be copied without our written permission, and the contents thereof must not be imparted to a third party nor be used for any unauthorized purpose. Contravention will be prosecuted.

Art.nr 2900 5203

Tolerance for other dimensions		Material		Article No.	
Designed by	Drawn by JK	Approved by	Replaces	Replaced by	Date 2013-09-12
Description			Page	State	
Manöverpanel montering -Tylö Elite Control Panel			1 (1)	Draft	
Drawing No.			Rev.		
TH000555_recessed_v2					