

## Wood burning heater Harvia M3 SL black

WKM3SL

The SL models are designed for people who want to conveniently heat their sauna from another room or outside the building. The opening direction of the door can be changed, making these heaters even easier to use. SL and Boiler heaters provide great bathing in small and medium-sized saunas.



### Features

Net weight (kg) : 48.0

H x W x D : 710.0 x 390.0 x 650.0 mm

Stone amount (kg) : 30.0

ID	GTIN	Power	Sauna room size min - max m3
WKM3SL	6417659001151	16.5 kW	6.0-13.0

## Spare parts

Product	ID	Pcs
Ashpan ES/SL	Z2ES-125	1
Furnace grate	ZKIP-10	1
Hinge pin	ZKIP-50	1
Air-flow spoiler M1/M3	ZKIP-630	1
Carton M3SL	ZKIP-560	
Front plate M3 chrome	ZKIP-620	
Handle for stove + screws	ZKIP-670	1
Handle for ash box	ZKIP-680	
Stove door with glass	ZROST-048	
	ZKIP-571	
Handle and screws, Chrome	SPZKIP-670	
Adjustable legs for LG150/SL	SPZKIP-918	
Hinge pin	SPZKIP-50	
Door for stove with knob, black	SP010	
Air-flow spoiler M1/M3	SPZKIP-630	
Cap for smoke hole (Ø 50 mm)	SPZKIP-170	
Glass 184x210x4 mm Stoves 2006-, transparent	SPZTS-36	
Stove door with glass (from 2006)	SP048	
Cast-iron grating 135x290mm, sauna heaters	SPZKIP-10	
Ash box, 20 ES/SL,ESGF	SP681	

## Technical details

Technical data	Type / attribute	WKM3SL
	Color	Black
	Power output	16.5 kW
	Stone sizes	Ø10–15 cm
	Stone amount (kg)	30
Dimensions	Product width	390
	Product height	710
	Product depth (mm)	650
	Net weight (kg)	48
	Gross weight	50.6
	Package width	730
	Package height	765
	Package depth	415
Connections	Flue connection locations	Top
	Chimney connection diameter	115
Safety and installation dimensions	Safety distance front (non-combustible materials)	300
	Safety distance front (combustible materials)	300
	Safety distance right side (combustible materials)	250
	Safety distance right side non-combustible materials	100
	Safety distance left side (combustible materials)	250
	Safety distance left side non-combustible materials	100
	Safety distance behind (non-combustible materials)	300

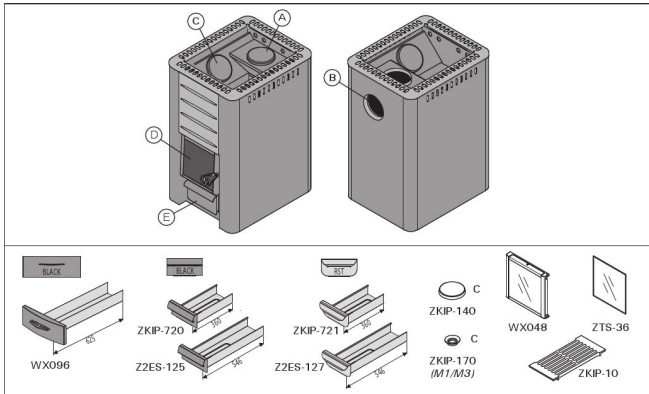
## Technical details

Technical data	Type / attribute	WKM3SL
	Safety distance behind (combustible materials)	300
	Safety distance (Ceiling)	1200
	Room min. height(depends on connections and therefore from output, star/delta)	1900

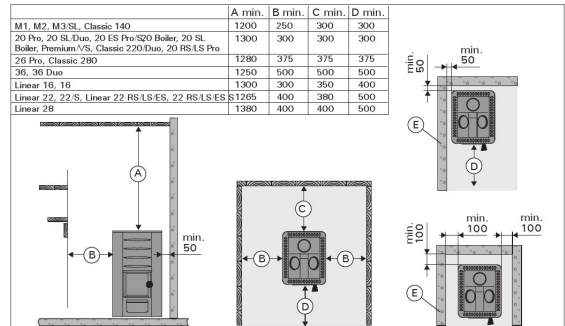
## Technical images

### 1.1. Stove Parts

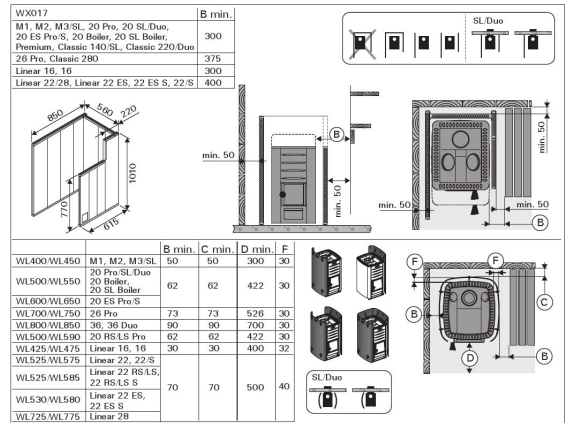
- A. Upper connection opening
- B. Rear connection opening
- C. Soot opening
- D. Stove door
- E. Ash box



**Stove parts.** Note! Only use replacement parts recommended by the manufacturer. Unauthorised modification of the stove is prohibited.



Safety distances (all dimensions in millimeters)



Safety distances with protective sheaths (all dimensions in millimeters)